



Welding Neck Flanges
Nominal Pressure 16

DIN
2633

Vorschweißflansche; Nenndruck 16

Dimensions in mm

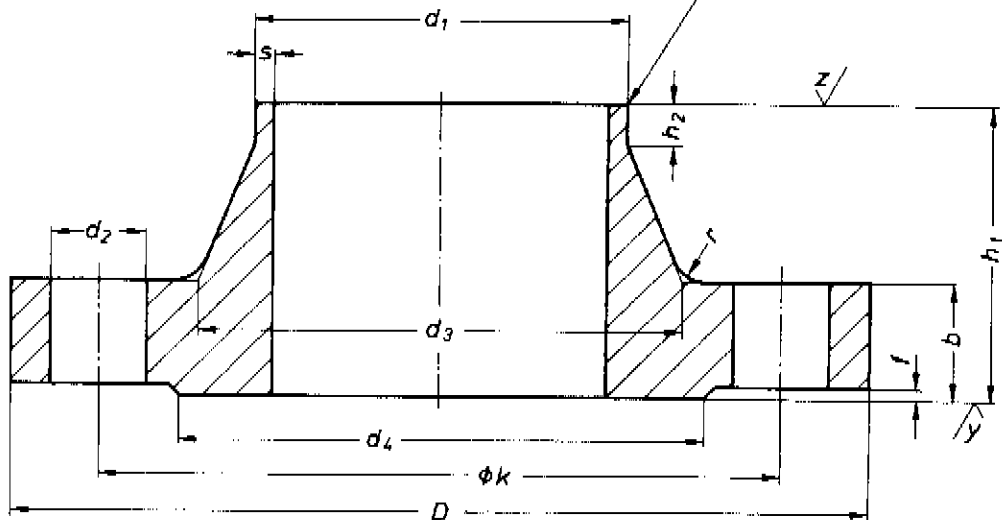
$$z/\sqrt{R_z} = 160$$

$$z/\sqrt{R_z} = 160 \text{ turned}$$

Form of welding edge:

Regular pattern
 $S \leq 16$ Edge form 22 DIN 2559
 $S > 16$ Edge form 3 DIN 2559

For special type
see DIN 2559



Designation of a welding neck flange with raised face Type C of nominal diameter 400 for pipe outside diameter $d_1 = 406.4$ mm made of RSt 37-2:

Flange C 400 x 406.4 DIN 2633 - RSt 37-2

Continued on pages 2 and 3
Explanations on page 3

18.5.03

No guarantee can be given in respect
of this translation
in all cases the latest German-language version of this
standard shall be taken as authoritative

In case of changes this printout is not taken into account!
Besides this is a copy and only for in-house purposes of
SMS Schloemann-Siemag AG. (acc. to DIN reference sheet 3)

Nachdruck, auch auszugsweise, nur mit Genehmigung des DIN Deutsches Institut für Normung e. V., Berlin 30, gestattet.

Translation
Fachtechnisches Übersetzungsinstitut
Henry C. Freeman, Düsseldorf

Pipe mating dimensions			Flange				Socket				Raised face		Screws			Weight of a flange (7,85 kg/dm ³) kg ≈
Nominal width	d ₁		D	b	k	h ₁	d ₃	s	r	h ₂	d ₄	f	Number	Thread	d ₂	
	Series 1	Series 2														
10	—	14	90	14	60	35	25	1,8	4	6	40	2	4	M 12	14	0,580
	17,2	—					28									
15	—	20	95	14	65	35	30	2	4	6	45	2	4	M 12	14	0,648
	21,3	—					32									
20	—	25	105	16	75	38	38	2,3	4	6	58	2	4	M 12	14	0,952
	26,9	—					40									
25	—	30	115	16	85	38	42	2,6	4	6	68	2	4	M 12	14	1,14
	33,7	—					45									
32	—	38	140	16	100	40	52	2,6	6	6	78	2	4	M 16	18	1,69
	42,4	—					56									
40	—	44,5	150	16	110	42	60	2,6	6	7	88	3	4	M 16	18	1,86
	48,3	—					64									
50	—	57	165	18	125	45	72	2,9	6	8	102	3	4	M 16	18	2,53
	60,3	—					75									
65	76,1	—	185	18	145	45	90	2,9	6	10	122	3	4	M 16	18	3,06
80	88,9	—	200	20	160	50	105	3,2	8	10	138	3	8	M 16	18	3,70
100	—	108	220	20	180	52	125	3,6	8	12	158	3	8	M 16	18	4,62
	114,3	—					131									
125	—	133	250	22	210	55	150	4	8	12	188	3	8	M 16	18	6,30
	139,7	—					156									
150	—	159	285	22	240	55	175	4,5	10	12	212	3	8	M 20	22	7,75
	168,3	—					184									
(175)	193,7	—	315	24	270	60	210	5,4	10	12	242	3	8	M 20	22	9,85
200	219,1	—	340	24	295	62	235	5,9	10	16	268	3	12	M 20	22	11,0
250	—	267	405	26	355	70	285	6,3	12	16	320	3	12	M 24	28	15,6
	273	—					292									
300	323,9	—	460	28	410	78	344	7,1	12	16	378	4	12	M 24	26	22,0
350	355,6	—	520	30	470	82	390	8	12	16	438	4	16	M 24	26	31,2
	—	368														28,8
400	406,4	—	580	32	525	85	445	8	12	16	490	4	16	M 27	30	39,3
	—	419														36,3
500	508	—	715	34	650	90	548	8	12	16	610	4	20	M 30	33	61,0
600	610	—	840	36	770	95	652	8,8	12	18	725	5	20	M 33	36	75,4
700	711	—	910	36	840	100	755	8,8	12	18	795	5	24	M 33	36	77,0
800	813	—	1025	38	950	105	855	10	12	20	900	5	24	M 36	39	101
900	914	—	1125	40	1060	110	955	10	12	20	1000	5	28	M 36	39	122
1000	1016	—	1255	42	1170	120	1058	10	16	22	1115	5	28	M 39	42	162
1200	1220	—	1485	48	1390	130	1262	12,5	16	30	1330	5	32	M 45	48	243
1400	1420	—	1686	52	1590	145	1465	14,2	16	30	1530	5	36	M 45	48	323
1600	1620	—	1930	58	1820	160	1668	16	16	35	1750	5	40	M 52	56	479
1800	1820	—	2130	62	2020	170	1870	17,5	16	35	1950	5	44	M 52	56	599
2000	2020	—	2345	66	2230	180	2072	20	18	40	2150	5	48	M 56	62	719

Nominal width in brackets should be avoided wherever possible.

The pipe mating dimensions of Series 1 are international, whilst those of Series 2 are still used in Germany.

Material: RSt 37-2 according to DIN 17100

Flanges of RSt 37-2 which conform to the dimensions here specified may be used up to temperatures of 120 °C for working pressures equal to the nominal pressure. At temperatures higher than 120 °C to 300 °C the fall off in yield point must be taken into account.

Other materials by agreement.

Manufacturing method, delivery condition and marking: according to DIN 2519

Types of gaskets:

Regular pattern with raised face Type C according to DIN 2526.

For other possible gaskets, see DIN 2526.

Other relevant standards

For flanges; general information, survey, see DIN 2500

For steel flanges; technical conditions of delivery, see DIN 2519

For steel tubes see DIN 2448 and DIN 2458

Explanations

During the period of validity of this Standard an examination should be made to see whether flanges of nominal diameter 10 to 40 can be dispensed with in favour of the 2 mm thicker flanges of nominal pressure 40.

Objections and proposals for amendment should be notified in duplicate to the Committee for Pipes, Pipe Joints and Pipelines in the DIN Deutsches Institut für Normung e.V., Kamekestraße 8, 5000 Köln 1.